

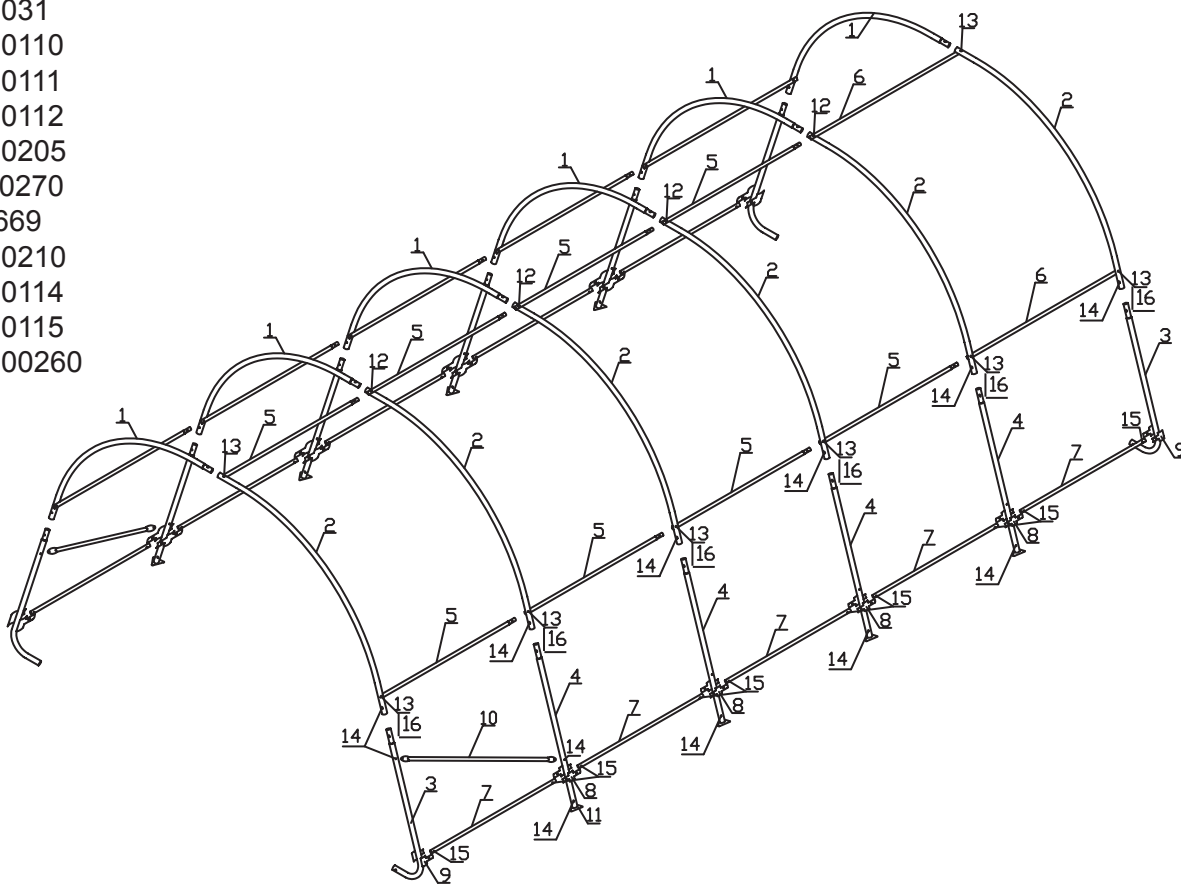
Run-In-Shed Assembly Manual

Please read instructions completely before assembly

Frame Assembly Overview

12 x 20 x 8 Frame

- 1: 10224
- 2: 10225
- 3: 10226
- 4: 10273
- 5: 2030
- 6: 2031
- 7: 10110
- 8: 10111
- 9: 10112
- 10: 10205
- 11: 10270
- 12: 669
- 13: 10210
- 14: 10114
- 15: 10115
- 16: 800260

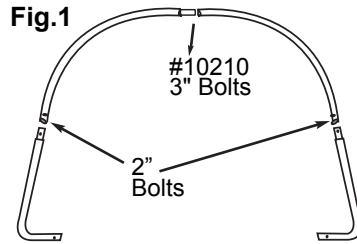


05-51331-0B 06/07/07

Basic Frame Assembly

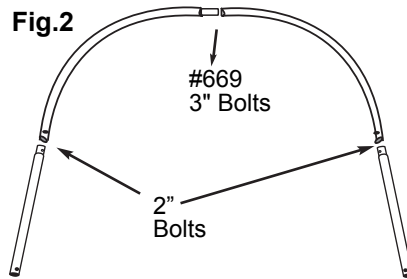
STEP 1

Fit together an end rib using the following parts (1) #10224 Bent Tube Swedged, (1) #10225 Bent Tube Plain and (2) #10226 Bent Corner Leg. Using (2) #10114 1/4" x 2" L Carriage Bolts and (2) #1010 1/4" Nuts securely fasten the joints of the Corner legs to the bends. Lay this rib on the ground at the rear of your shelters designated location.



STEP 2

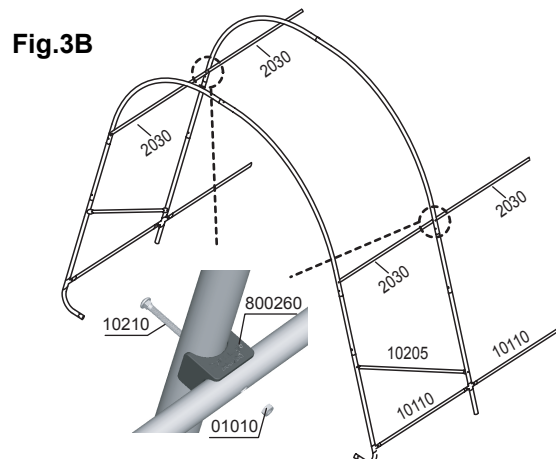
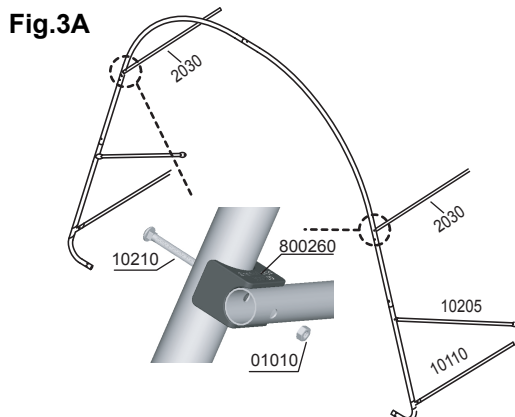
Assemble a middle rib using the following parts (1) #10224 Bent Tube Swedged, (1) #10225 Bent Tube Plain and (2) #10273 Middle Upright Tube. Using (2) #10114 1/4" x 2" L Carriage Bolts (1) #669 1/4" x 3" Round Head Bolt and (3) #1010 1/4" Nuts securely fasten the joints of the Corner legs to the bends. Lay this rib on the ground near the first end rib.



STEP 3

3A Stand the rear end rib vertically and lean against a permanent structure. Place a ShelterLock against the rib over the hole for the cross rail just above the joint of the side bend and the extension. Insert a 1/4" x 3"L Carriage Bolt through the rib and ShelterLock with the head of the Bolt on the outside of the rib. Place the plain end of a #02030 Cross Rail onto the bolt and rest it into the ShelterLock and secure it with a 1/4" Nut. Next, attach a #10205 Wind Brace using a 1/4" x 2"L Carriage Bolt and Nut to each corner upright tube. Place (2) #10112 3-Way Connectors around the bent corner leg. Insert the end of a #10110 Cover Rail Tube into the 3-Way Connector and fasten these with a 1/4"x1 5/8" Bolt and Nut. Slide the connector until it is 5" up from the ground and loosely tighten. Repeat at the other bent corner.

3B Attach a #10111 4-Way Connector to the end of the 2 cover rail tubes and loosely fasten with a 1/4" x 1 5/8" Bolt and Nut. Insert another cover rail tube into each 4-Way Connector and loosely fasten with a 1/4" x 1 5/8" Bolt and Nut. Place the plain end of another #02030 Cross Rail over the swedged end of those already attached and lean them down. With help, stand the middle rib vertically and insert the bottom of each upright tube into the 4-Way Connectors. Place an ShelterLock against the rib over the hole for the cross rail just above the joint of the side bend and the extension. Insert a 1/4" x 3"L Bolt through the rib and ShelterLock with the head of the bolt on the outside of the rib. Raise the cross rails up and slide them over the bolt and rest them into the anti-rack device and secure with a 1/4" Nut. Attach the lower end of the Wind Braces to the middle rib with a 1/4" x 2"L carriage Bolt and Nut. Be sure that the head of the bolt is on the outside of the rib. Slide the 4-Way Connector up until they are 5" above the ground and tighten loosely.



STEP 4 INSTALLING TOP RAIL

Install top cross rail assembly starting with (1) #2031 Plain Cross Rail Tube UNDER the last bow and on TOP of the all the middle bows. End with the plain end of the Cross Rail Tapered End UNDER the front bow .

NOTE: Use the Special Round Head 1/4" x 3" Bolts for securing the top rail to the Middle Ribs only!

Install the Top Rail
OVER all Middle Ribs
UNDER First & Last Ribs

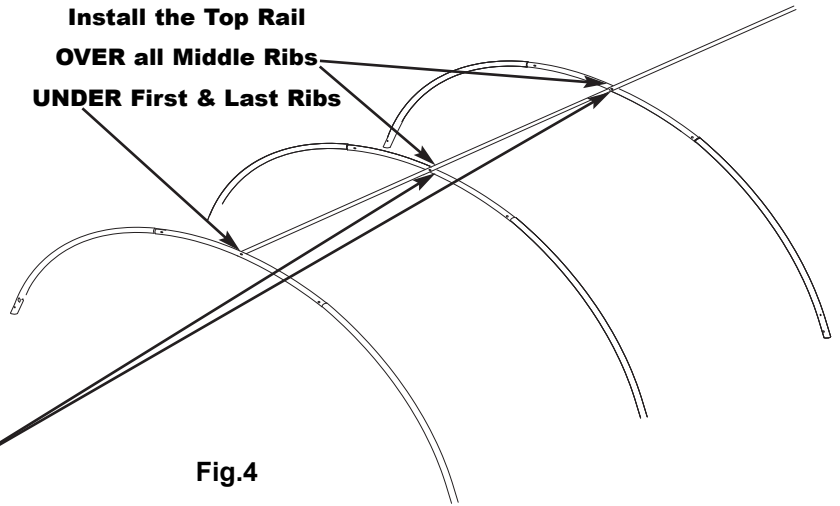


Fig.4

STEP 5 ATTACHING & SECURING BASE FEET

Depending on the model you have purchased, your base feet will either fit onto the outside of the leg poles, or slide inside the leg poles. After installing Base Feet Plates onto bottom of Middle leg Poles, be sure to line up the pre-drilled hole in the leg with the pre-drilled hole in the base foot. Insert 1/4" x 2" bolts all the way through leg and foot, to other side, secure with nuts.

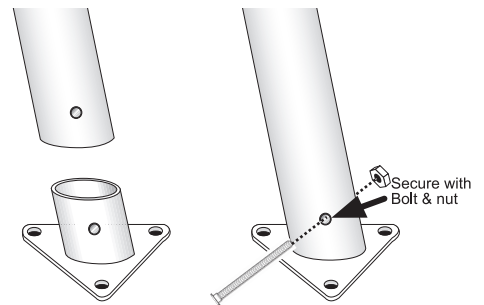


Fig.5

STEP 6 (Anchor Shelter) W/Auger Anchors for Dirt Surfaces

You will secure the anchors to the corner leg bends using the cable and clamp. Be sure to put cable through the hole in the corner leg bend, and through eye of anchor, secure with clamp. Repeat process attaching the remaining anchors to the middle ribs with the cable around the upright above the foot plate.

Note: Anchors must be placed inside of shelter.

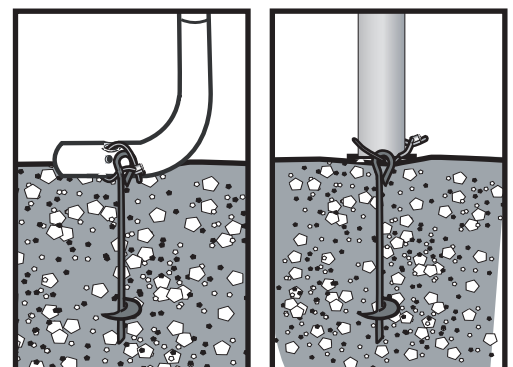


Fig.6

Fig.7

STEP 7 SECURING YOUR COVER

Pull the cover over the frame. The welded in webbing should be at the front and back of the building. Also note that the pocket with cutouts, running along the sides of the cover should be on the inside and near the ground. Insert the "S" hook from the ratchets into the hole in the leg of the frame. Next, insert the webbing into the spindle of the ratchet and tighten ratchet until the webbing overlaps itself, do not tighten all the way yet. Check to be sure the cover still has an even overhang on the front and rear, adjust as necessary. Once the cover is even, finish tightening the ratchets, alternating from corner to corner to ensure the cover stays even.

After the cover is tight end to end, remove the cross rails and connectors on one side of the frame and place them into the pockets between the cutouts. Attach the crossrails using the 3-way and 4-way cover rail clamps around the uprights and loosely fasten with the 1/4" x 1 5/8" bolts and 1/4" nuts. Check that the rails are evenly spaced above the ground on both sides. Push down on the connectors one at a time to tension the cover and tighten the bolts to hold tightly.

Warning:
Do not leave a partially or fully covered unit without being fully anchored. Serious injury to persons or property could result.

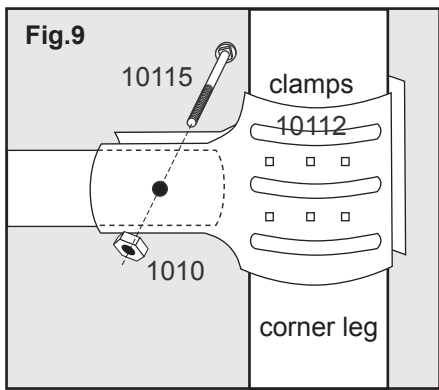
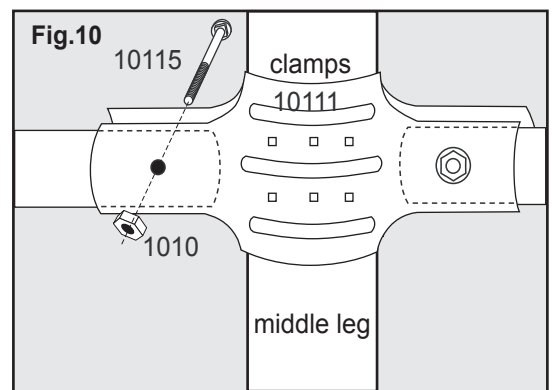


Fig. 8



Outside Corner View



Fig. 12

** The ratchets should be checked monthly to make sure the cover is tight.*

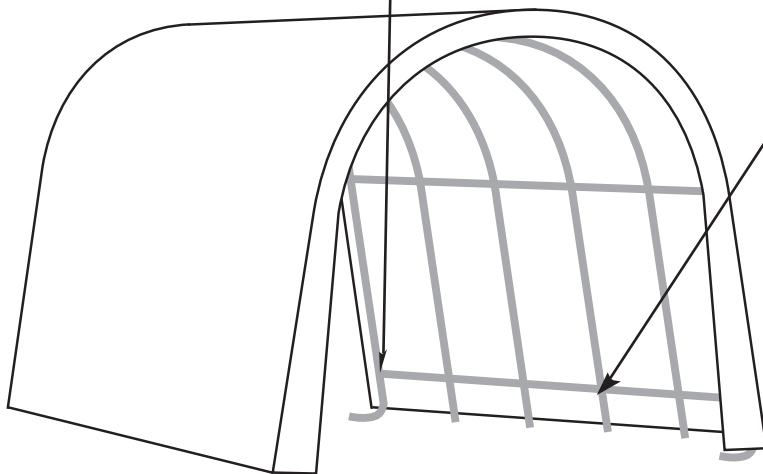
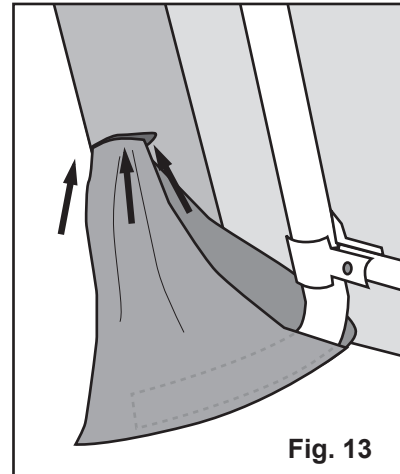


Fig. 11

STEP 8

Find the open side of the protective boot and open it.
Insert the foot of the corner leg into the protective boot.
When the foot is all the way in the boot insert the top edge of the boot into the hem of the cover (Fig 13).
When complete secure the Velcro on the open side of the boot to close the boot.



WARNINGS, CAUTIONS, CARE & CLEANING

Warning!

Prior to installation, check all local and municipal laws regarding these shelters.
Choose your shelter's location carefully.
Check for overhead utility lines, branches, etc.
Do NOT install near roofs or other structures that may shed snow or ice onto shelter.
Do NOT hang objects from the roof structure or cables.
Do NOT smoke or use open flame devices near the shelter.
Do NOT store flammable liquids (eg. Gasoline, Kerosene, etc.) in your shelter.
Do NOT expose top or sides to open fire or flame.
Do NOT use barbeque grills, fire pits, deep fryers or smokers inside this shelter.
Be sure to remove any accumulated snow from roof. Care should be used when removing snow to prevent punctures being made in the cover with rakes, shovels, etc.

Caution!

This shelter is intended to protect against the effects of sun, rain, tree sap, bird droppings, light snow, etc.
It is not designed to hold the loads that can accompany heavy wind, deep snow or ice storms.
Proper anchoring is the responsibility of the user.
Please read and understand all warnings prior to permanent installation.
Any canopy that is not anchored securely or properly will fly away. We will not be responsible for any canopy that blows away.
Proper anchoring is your responsibility.
Your shed's cover can be quickly removed if needed when you know that a strong or severe weather front is approaching.

Care & Cleaning

During the first few months of use, it will be necessary to tighten the cover a few times.
Be sure that the cover is kept tight, loose fabric will deteriorate quickly.
Do NOT apply any "Protect & Shine" type products to the cover and ends or use any harsh or abrasive cleaners. The cover may be cleaned with mild soap and water.